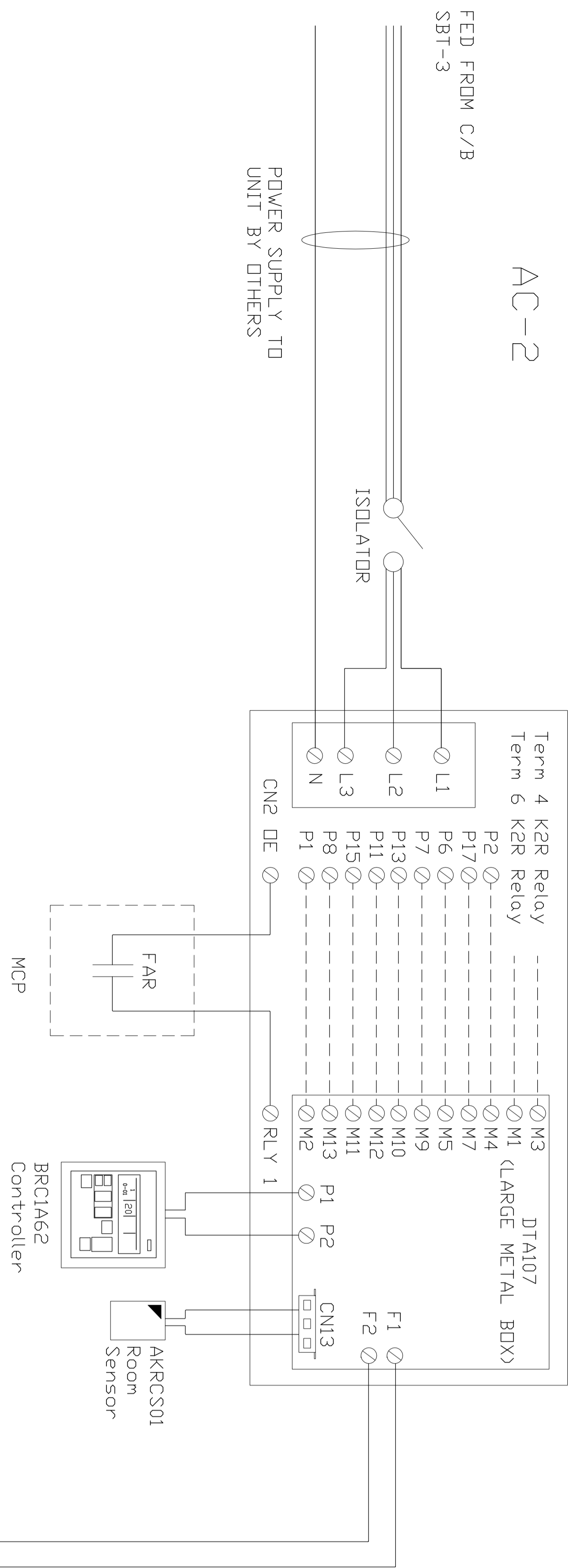
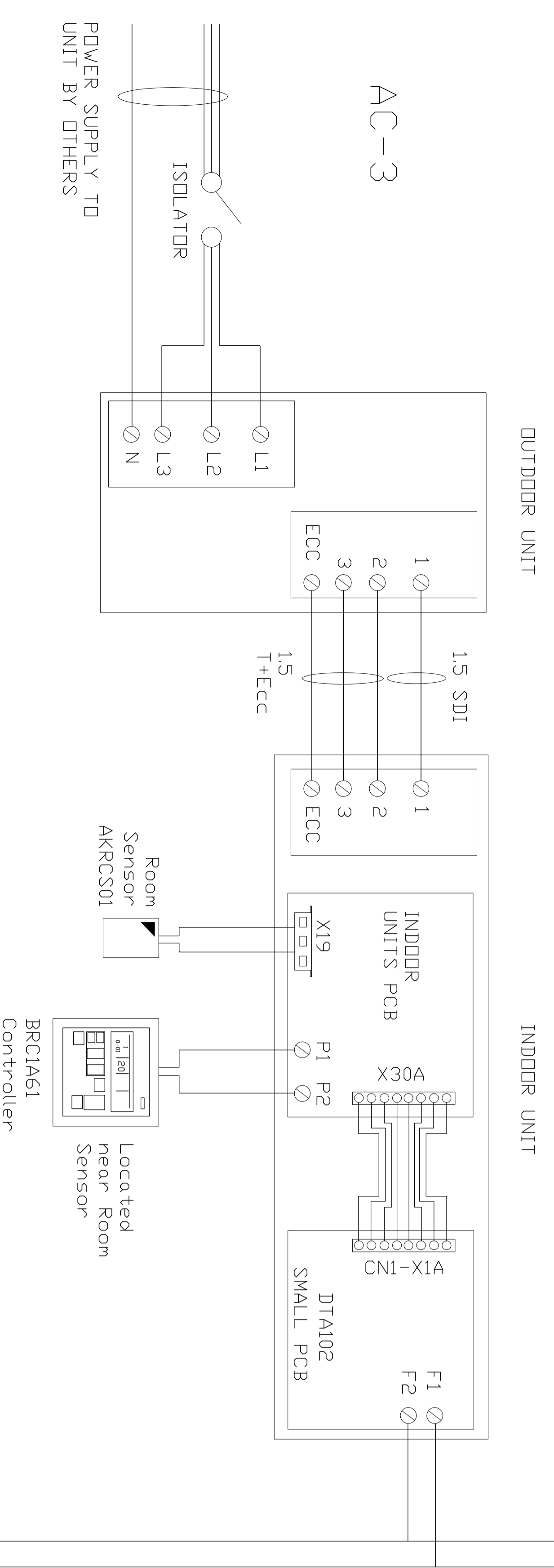


Roof Top
Package Unit

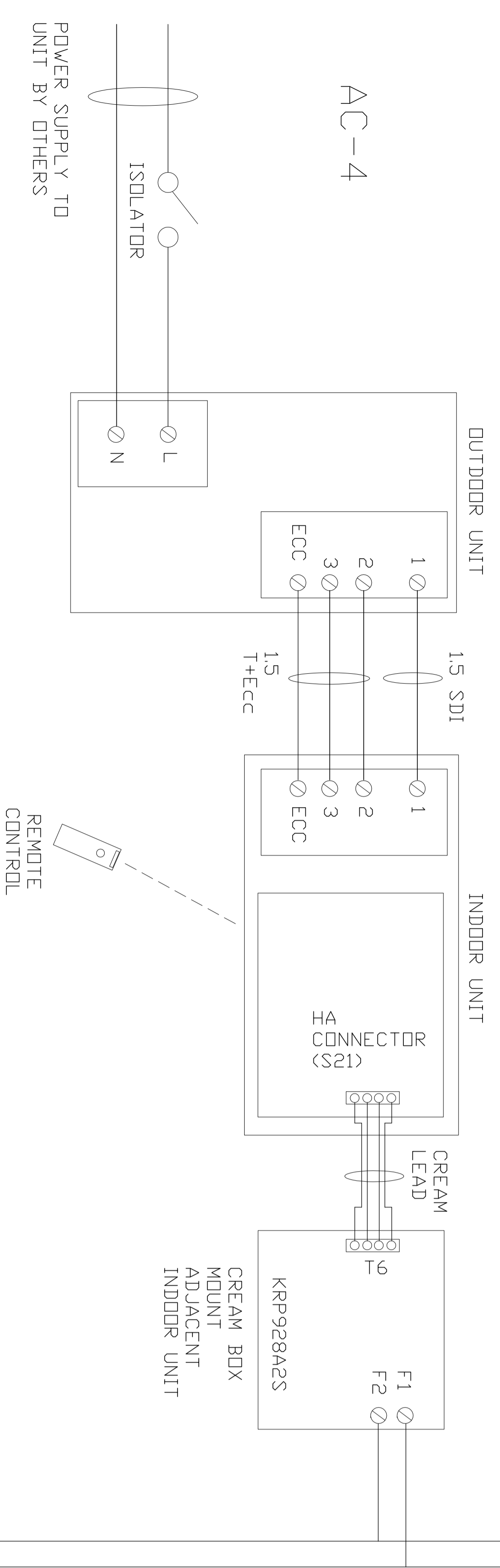
AC-2



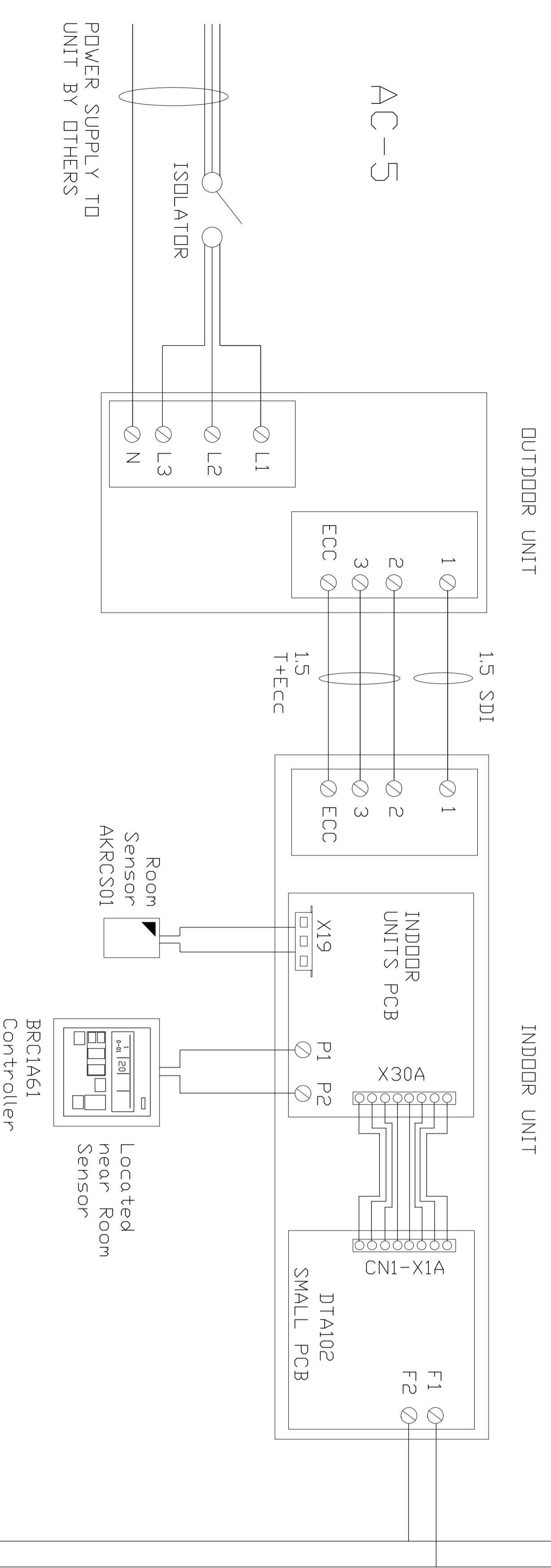
AC-3



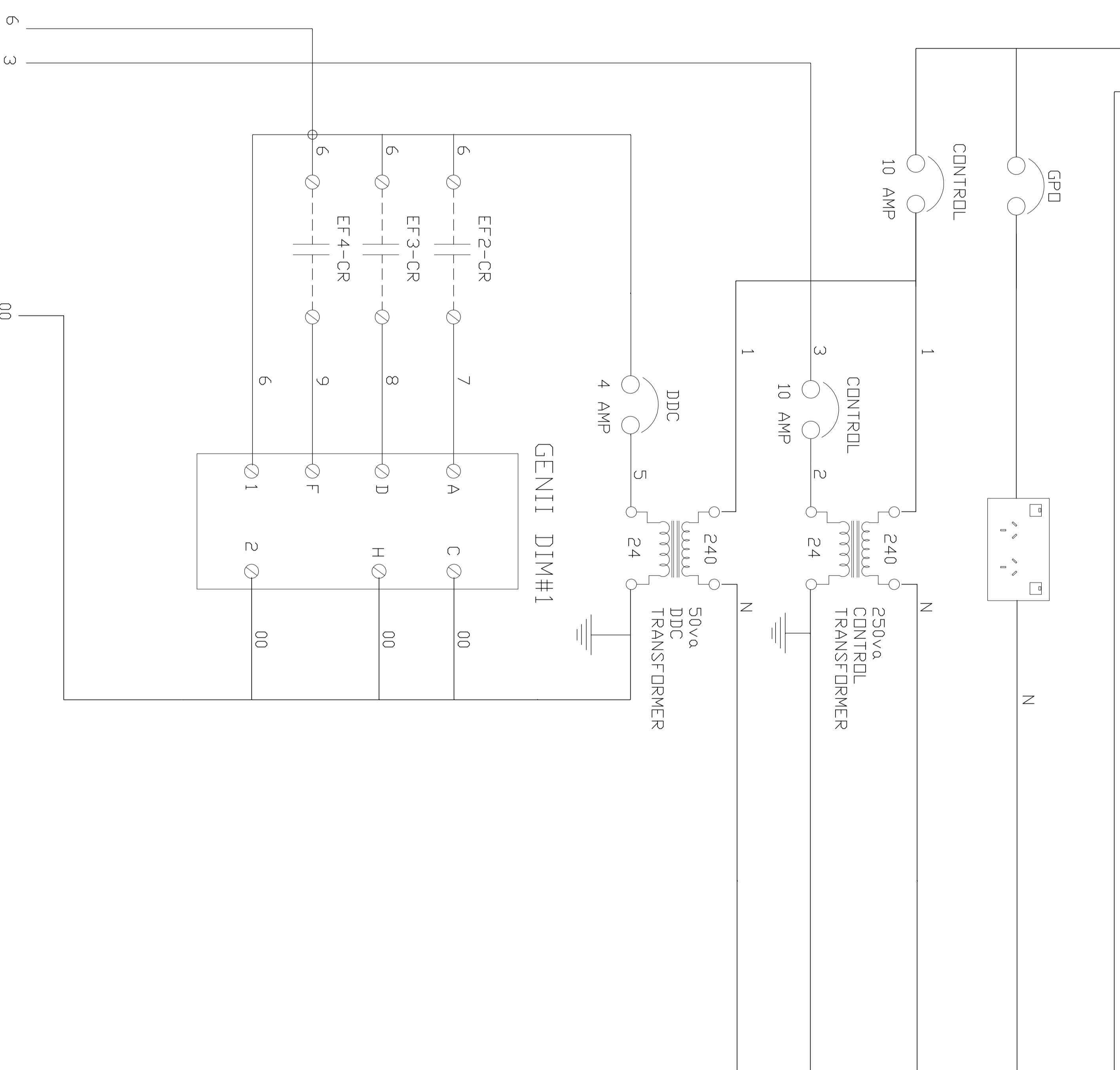
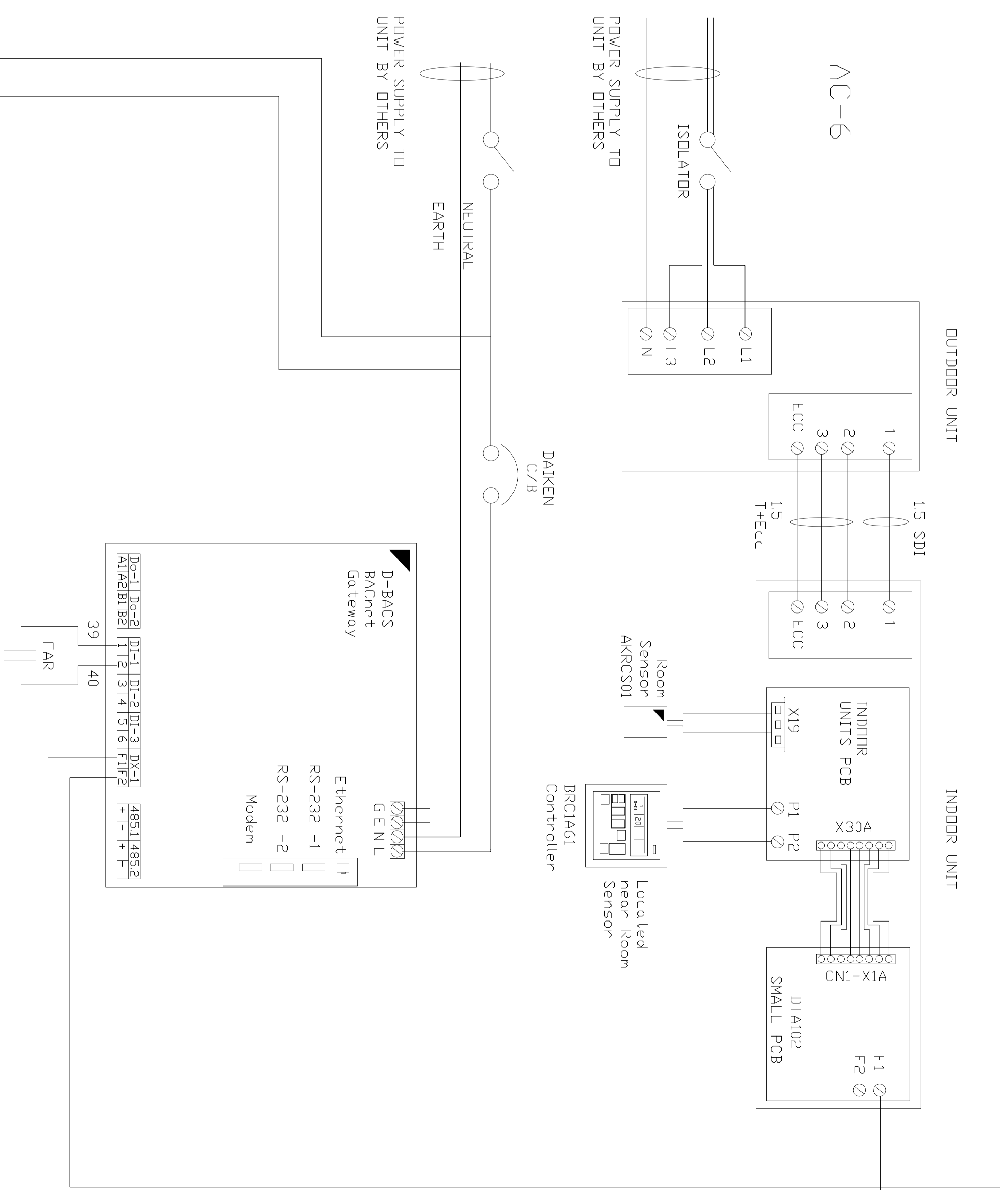
AC-4



AC-5



AC-6



No	ISSUE	BY	DATE	No	ISSUE	BY	DATE

No	BY	DATE

DATE	SCALE	DRAWN	CHECKED	DESIGNED	RR
25th of Feb 2004	N/A	RR			

CONTROL & DESIGN PTY
LTD
52 TAYLORS LANE STRATHFIELDSAYE
TEL. (03) 54393495 FAX. (03) 54395126
AC.N. 086098079

PROJECT
Goulburn Tafe
Bellilo Auditorium

TITLE
MECHANICAL ELECTRICAL SERVICES
ELECTRICAL SCHEMATIC DRAWINGS FOR AIR-CONDITIONING

PROJECT No. C-241 **DRAWING No.** E1 **REVISION** 0

CAD FILE No. Drawings/Bellilo