

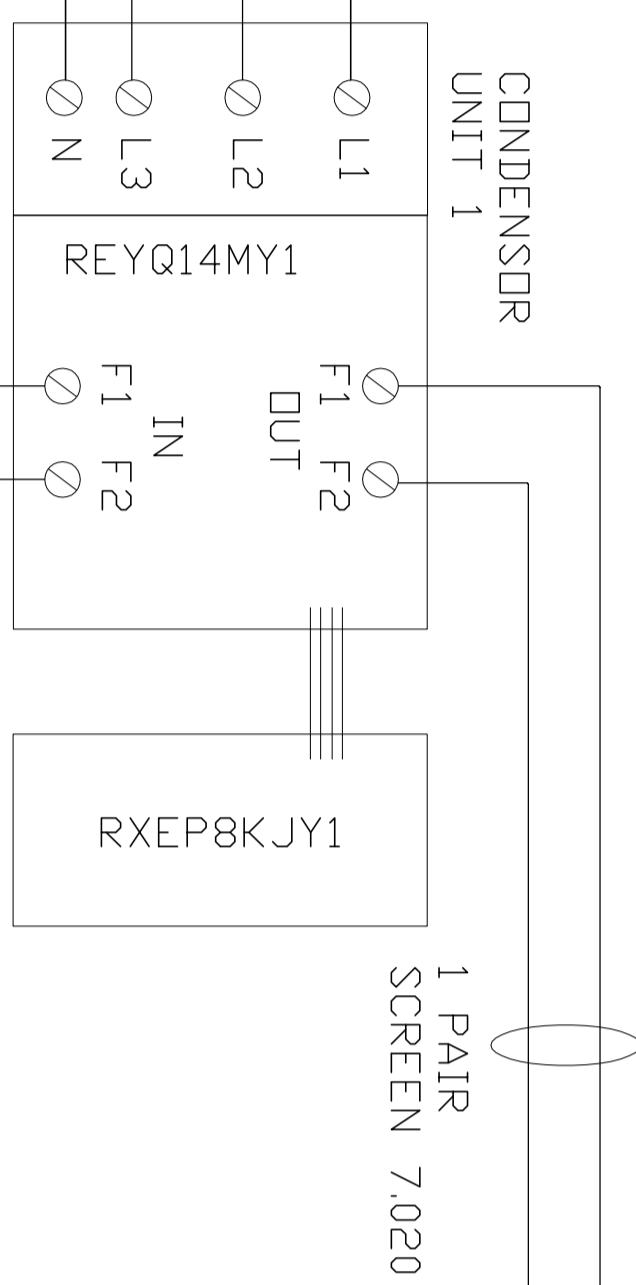
Feed from existing 70mm D/C
4c+ECC cable protected by 160
amp MCCB. Approximate length 45m

Existing Load
Break Switch

SYSTEM A

C/B 1,2,3
50 AMP
33.4 amp load Approx
total circuit distance
is 32m

16mm
4c+ECC



C/B 4
10 AMP

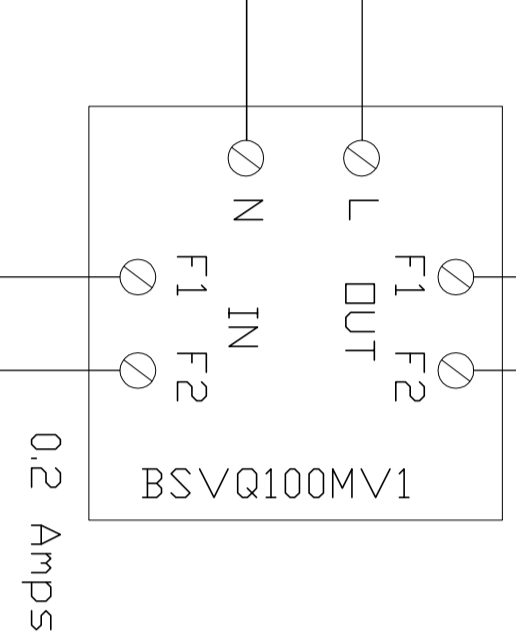
60mm
2c+ECC

1 PAIR
SCREEN 7020

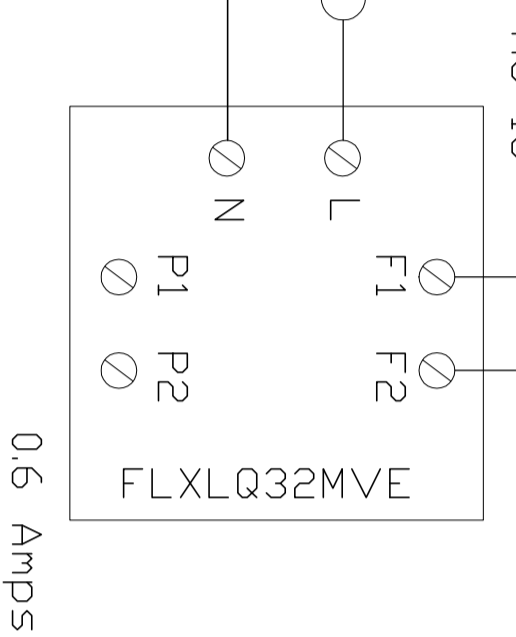
DUCTED
SPLIT

AC-25
FXMQ100MVE
0.2 Amps
BSVQ160MV1
0.2 Amps
BRQ1A62
CONTROLLER

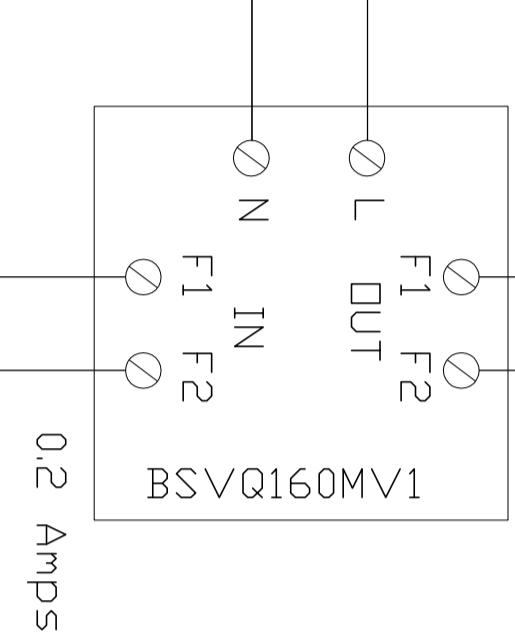
C/B-5
10 AMP



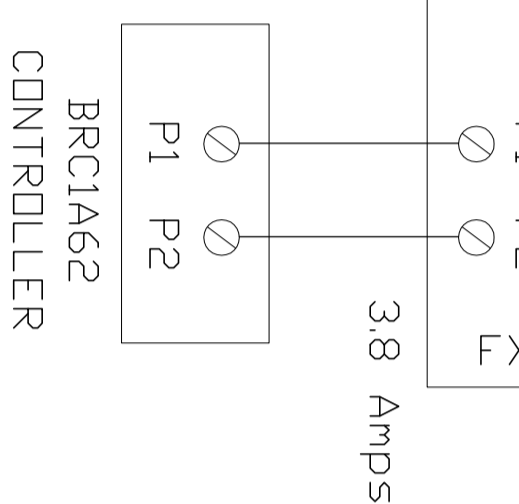
FLOOR MOUNT
CONSOLE UNIT



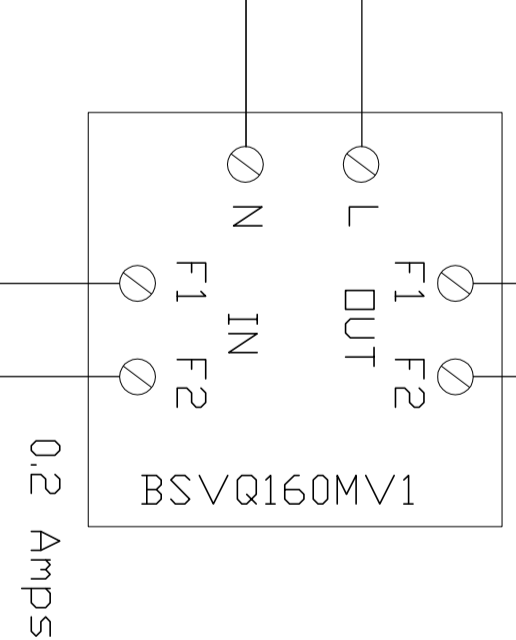
C/B 6
10 AMP



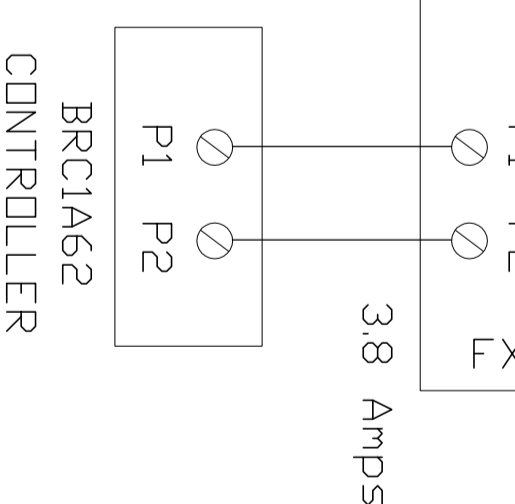
DUCTED
SPLIT



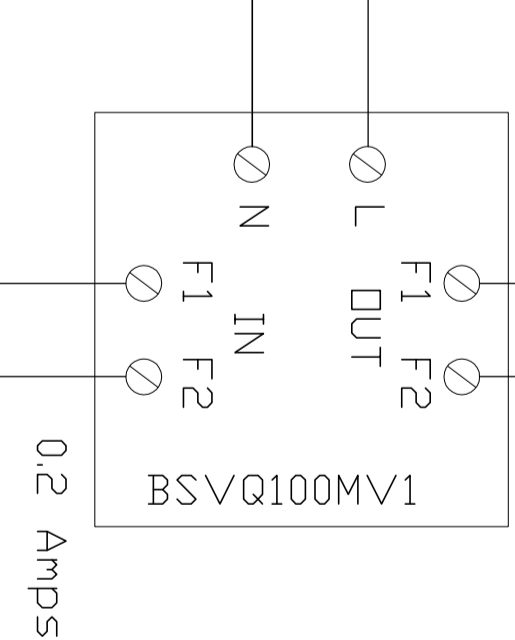
C/B 7
10 AMP



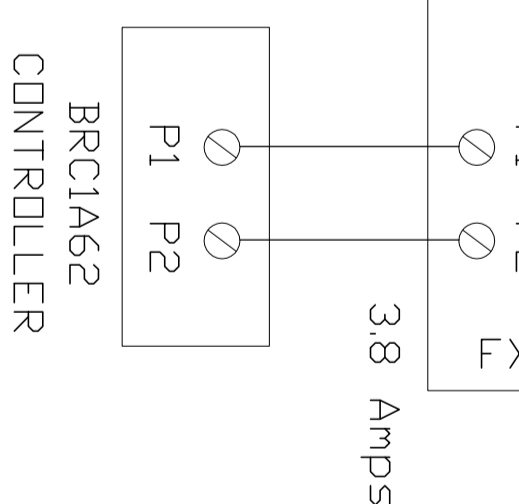
DUCTED
SPLIT



C/B 8
10 AMP



DUCTED
SPLIT



No	ISSUE	BY	DATE	No	ISSUE	BY	DATE

No	DATE	BY	DATE

DATE	30th of April 2002 DESIGNED	RR
SCALE	N/A	CHECKED
DRAWN	RR	No. IN SET 1 OF 7

CONTROL & DESIGN PTY
LTD
52 TAYLORS LANE STRATHFIELDSAYE
TEL. (03) 54393495 FAX. (03) 54395126
AC.N. 08699879

PROJECT
Country Fire Authority Bendigo
Air-Conditioning Refurbishment

TITLE
MECHANICAL ELECTRICAL
SERVICES
ELECTRICAL SCHEMATIC
DRAWINGS FOR
AIR-CONDITIONING

PROJECT No. DRAWING No. REVISION
C-269 E1 1

CAD FILE No. Sandhurst / CFA Bendigo