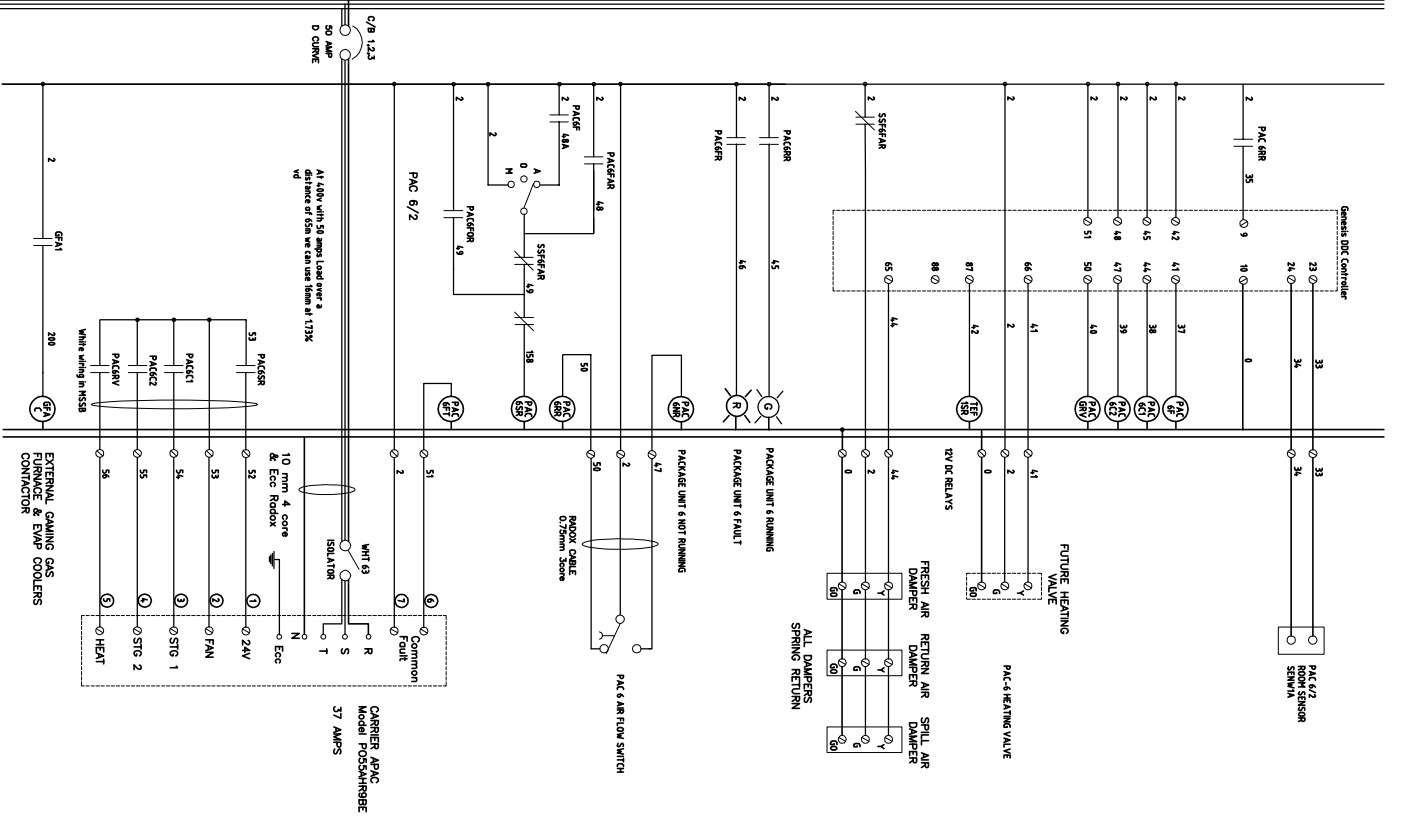
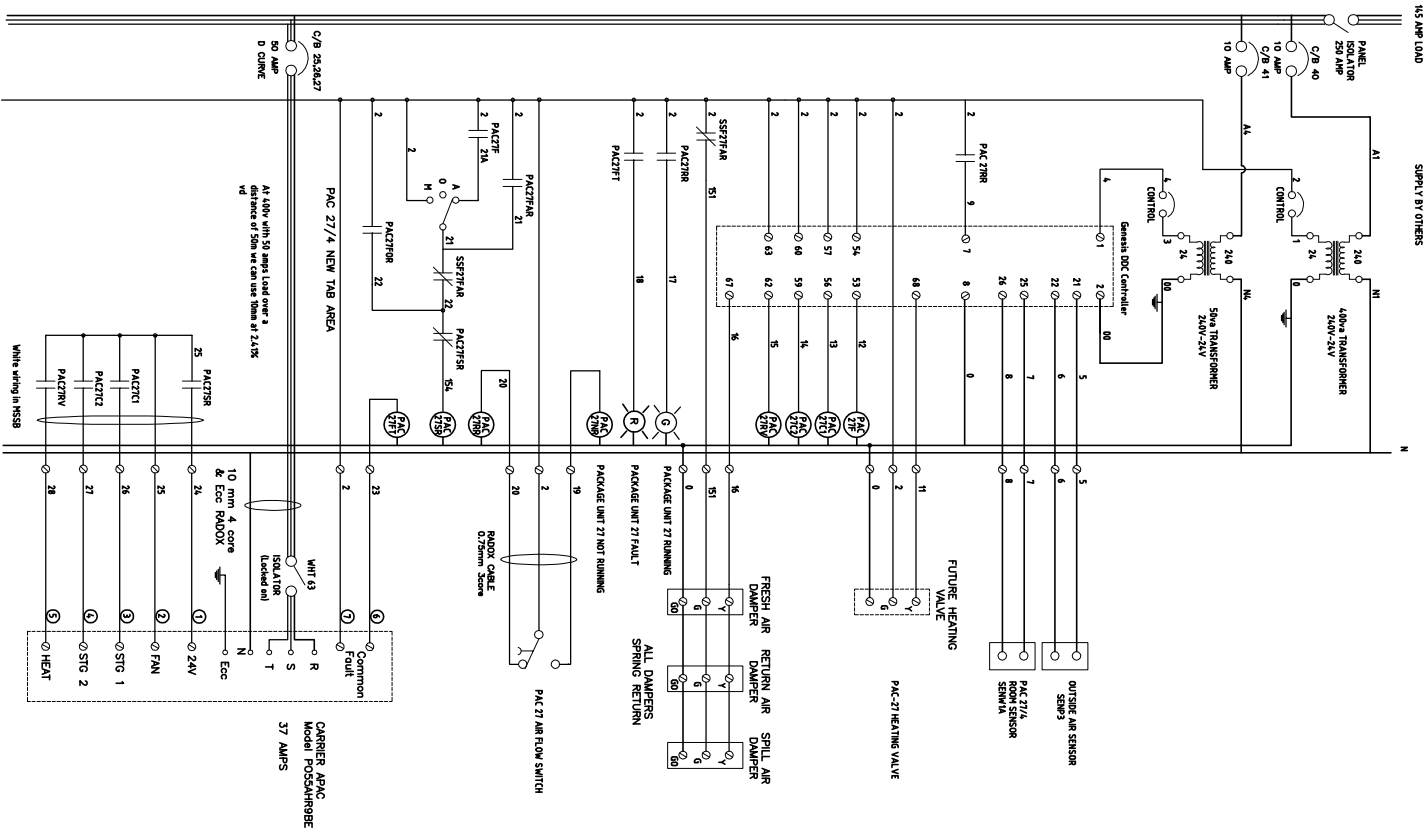
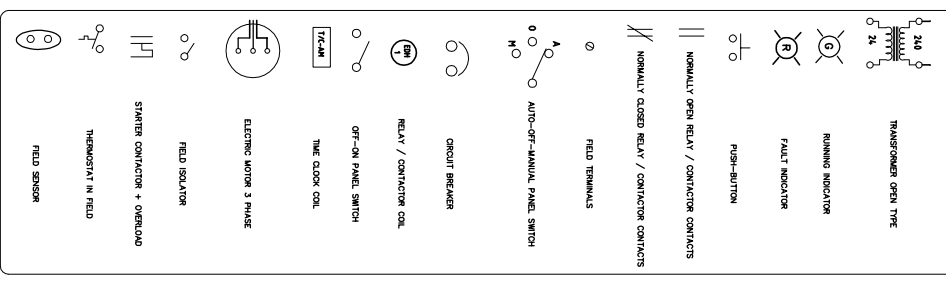


145 AMP LOAD

SUPPLY BY OTHERS



ELECTRICAL SYMBOL SCHEDULE



DATE: 5th Sep 2005 DESIGNED: RR
 SCALE: N/A CHECKED: RR
 DRAWN: RR NO. IN SET: 1 of 4

CONTROL & DESIGN PTY LTD
 52 TAYLORS LANE STRATHFIELDSAYE
 TEL: (03) 54393495 FAX: (03) 54395126
 A.C.N. 088989879

PRODUCT: COMMERCIAL CLUB ALBURY
 STAGE 9

MECHANICAL ELECTRICAL SERVICES
 ELECTRICAL SCHEMATIC
 COMMERCIAL CLUB ALBURY STAGE 9
 DRAWING NO: C-276-E1
 REVISION: B
 CAD FILE NO: COMPEL\COMMERCIAL CLUB FILE\SCHEMATIC